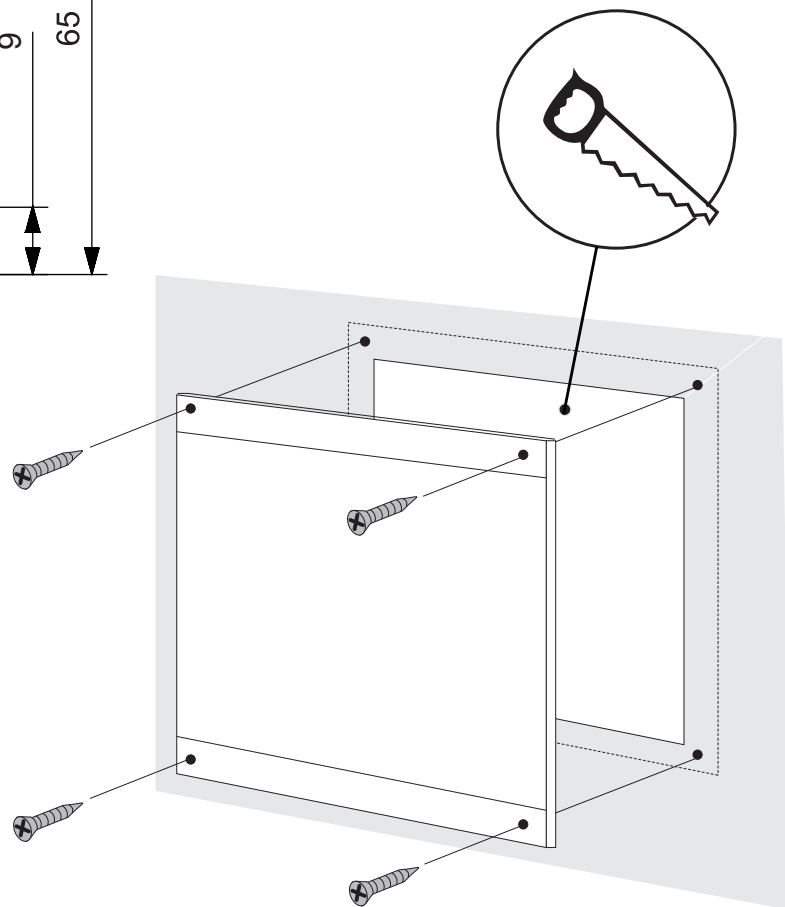


Template for  
drilling and  
cutting



Please check the scale before using  
this paper as a template for cutting a  
hole in your panel !!  
No rights can be derived from this  
drawing.